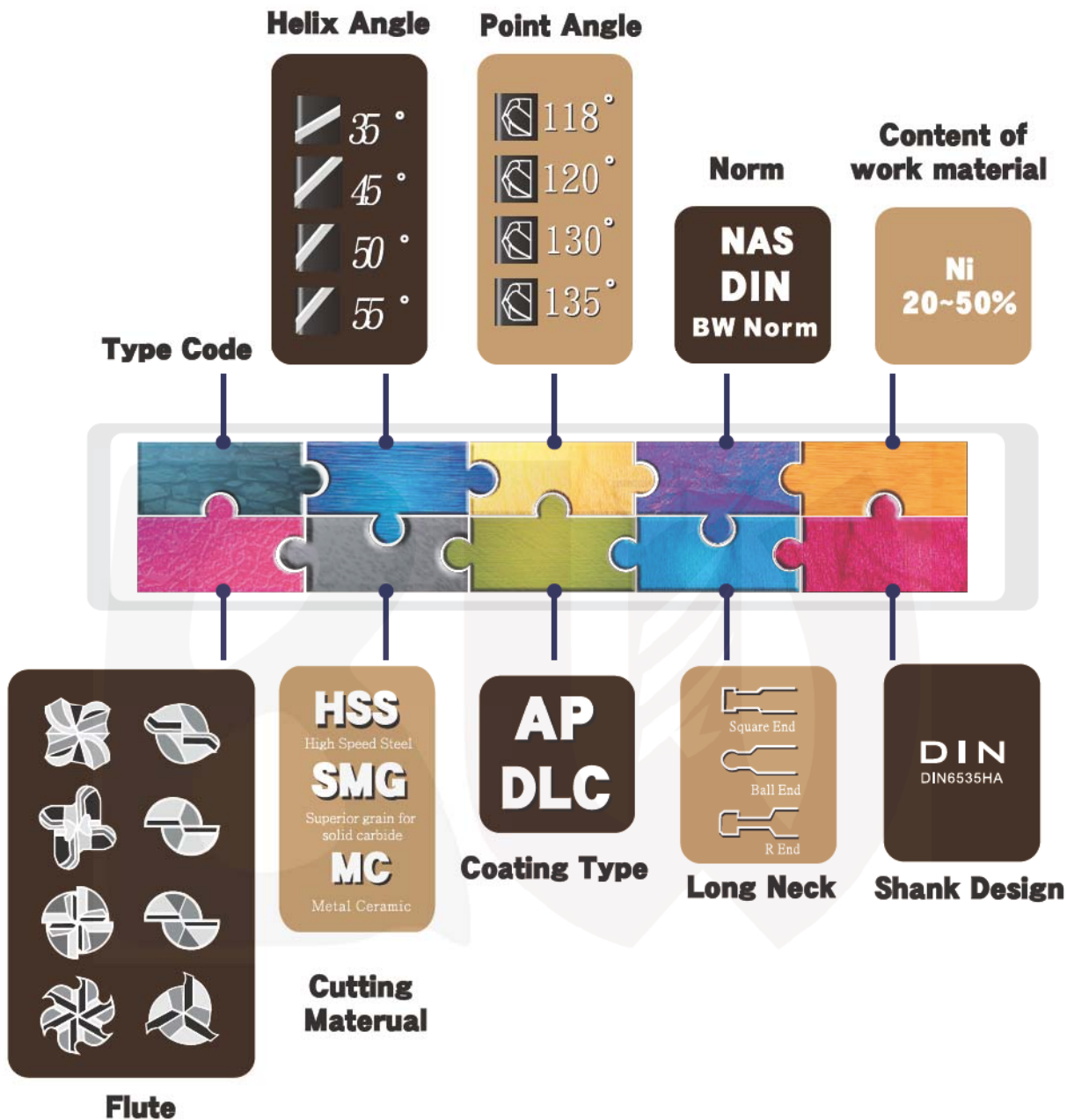


## Description Of The Icon



CUTTER SPECIALIZED IN CUTTING STAINLESS STEEL



# Metal Ceramic cutter

## 金屬陶瓷刀具

**P1 - 2MCB****P1 - 4MCB****P2 - 2MC****P2 - 4MC****P3 - 4MCR****P4 - MCD****P5 - MCDS****P6 - MCMR**

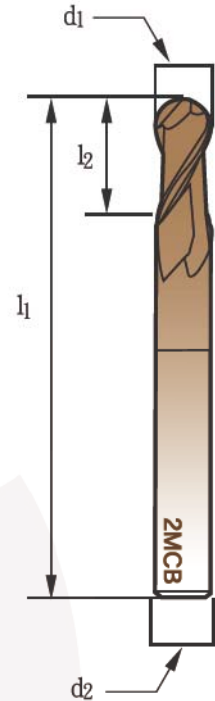
# MC Ball Nose End Mills

金屬陶瓷圓頭銑刀

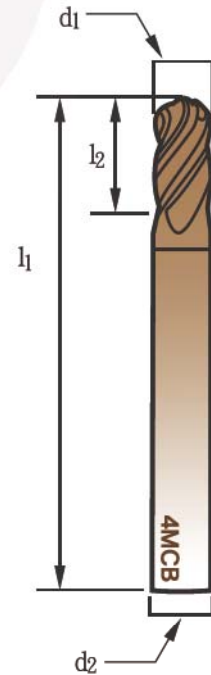
- 2MCB
- 4MCB
- 2MC
- 4MC
- 4MCR
- MCD
- MCDS
- MCMR



Order Code	Ø d1 (e8/h10)	l2	l1	Ø d2 (h6)
2MC010B	R0.5	2	48	6
2MC020B	R1	4	48	6
2MC030B	R1.5	6	48	6
2MC040B	R2	8	48	6
2MC060B	R3	12	48	6
2MC080B	R4	16	60	8
2MC100B	R5	20	68	10



Order Code	Ø d1 (e8/h10)	l2	l1	Ø d2 (h6)
4MC040B	R2	11	48	6
4MC060B	R3	13	48	6
4MC080B	R4	19	60	8
4MC100B	R5	22	68	10



# MC End Mills

金屬陶瓷立銑刀

## 2MC



Order Code	$\varnothing d_1$ (h10)	$l_2$	$l_1$	$\varnothing d_2$ (h6)
2MC010	1	3	48	6
2MC020	2	6	48	6
2MC030	3	7	48	6
2MC040	4	8	48	6
2MC060	6	13	48	6
2MC080	8	19	60	8
2MC100	10	22	68	10

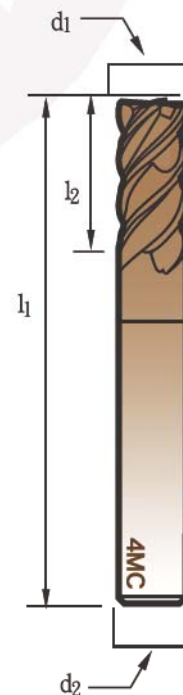


- 2MCB
- 4MCB
- 2MC
- 4MC
- 4MCR
- MCD
- MCDS
- MCMR

## 4MC

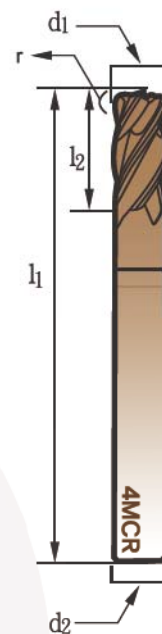


Order Code	$\varnothing d_1$ (h10)	$l_2$	$l_1$	$\varnothing d_2$ (h6)
4MC040	4	11	48	6
4MC060	6	13	48	6
4MC080	8	19	60	8
4MC100	10	22	68	10



# MC Corner Radius End Mills

金屬陶瓷圓鼻角立銑刀



2MCB

4MCB

2MC

4MC

4MCR

MCD

MCDS

MCMR

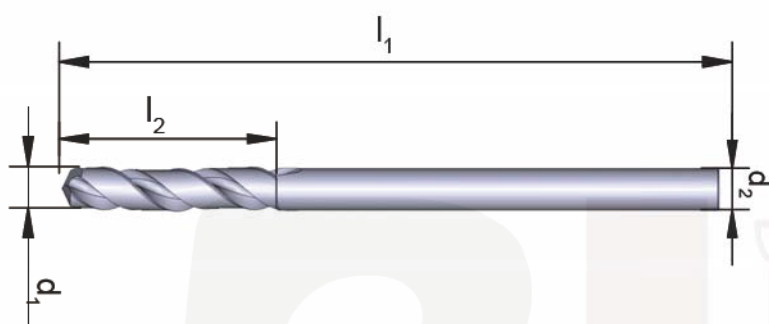
Order Code	$\varnothing d_1$ (h10)	r	$l_2$	$l_1$	$\varnothing d_2$ (h6)
4MC0405R	4	0.5	10	48	6
4MC0505R	5	0.5	13	48	6
4MC0605R	6	0.5	16	48	6
4MC0610R	6	1	16	48	6
4MC0805R	8	0.5	20	60	8
4MC0810R	8	1	20	60	8
4MC1010R	10	1	30	68	10
4MC1020R	10	2	30	68	10
4MC1030R	10	3	30	68	10

mm



# Metal Ceramic Drill

## 金屬陶瓷鑽頭



Order Code	Ø d <sub>1</sub> (h <sub>10</sub> )	l <sub>2</sub>	l <sub>1</sub>	Ø d <sub>2</sub> (h <sub>6</sub> )
2MC005D	0.5	1	48	6
2MC010D	1	2	48	6
2MC015D	1.5	3	48	6
2MC020D	2	4	48	6
2MC025D	2.5	5	48	6
2MC030D	3	6	48	6
2MC035D	3.5	7	48	6
2MC040D	4	8	48	6
2MC045D	4.5	9	48	6
2MC050D	5	10	48	6
2MC055D	5.5	11	48	6
2MC060D	6	12	48	6
2MC065D	6.5	13	60	8
2MC070D	7	14	60	8
2MC075D	7.5	15	60	8
2MC080D	8	16	60	8
2MC085D	8.5	17	68	10
2MC090D	9	18	68	10
2MC095D	9.5	19	68	10
2MC100D	10	20	68	10



- 2MCB
- 4MCB
- 2MC
- 4MC
- 4MCR
- MCD**
- MCDS
- MCMR

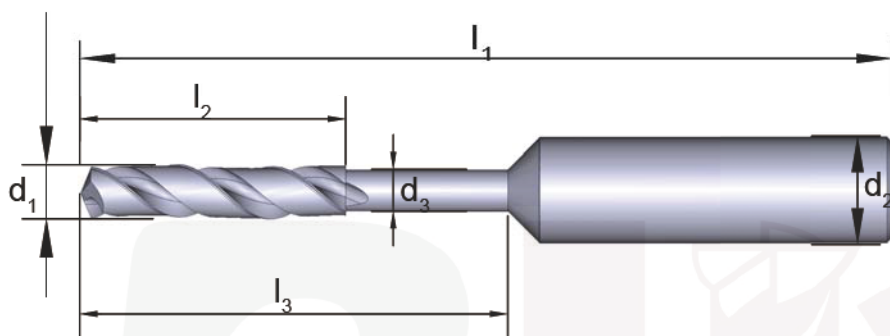
★可依據客戶需求訂製不同規格

To request additional product information or other technical support, please contact us.



# Metal Ceramic Drill - Effective Scraps Discharge

## 金屬陶瓷鑽頭(重排屑)



mm

Order Code	Ø d <sub>1</sub> (h10)	l <sub>2</sub>	l <sub>3</sub>	l <sub>1</sub>	Ø d <sub>3</sub> (h10)	Ø d <sub>2</sub> (h6)
2MC005DS	0.5	1	20	48	0.4	6
2MC010DS	1	2	20	48	0.8	6
2MC015DS	1.5	3	20	48	1.2	6
2MC020DS	2	4	20	48	1.6	6
2MC025DS	2.5	5	20	48	2	6
2MC030DS	3	6	20	48	2.4	6
2MC035DS	3.5	7	20	48	2.8	6
2MC040DS	4	8	20	48	3.2	6
2MC045DS	4.5	9	20	48	3.6	6
2MC050DS	5	10	20	48	4	6
2MC055DS	5.5	11	20	48	4.4	6
2MC060DS	6	12	20	48	4.8	6
2MC065DS	6.5	13	30	60	5.2	8
2MC070DS	7	14	30	60	5.6	8
2MC075DS	7.5	15	30	60	6	8
2MC080DS	8	16	30	60	6.4	8
2MC085DS	8.5	17	40	68	6.8	10
2MC090DS	9	18	40	68	7.2	10
2MC095DS	9.5	19	40	68	7.6	10
2MC100DS	10	20	40	68	8	10

★可依據客戶需求訂製不同規格

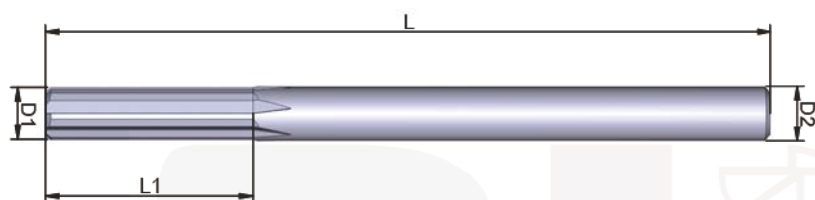
To request additional product information or other technical support, please contact us.



# Metal Ceramic Machine Reamer

## 金屬陶瓷機械鉸刀

### MCMRS



Order Code	ØD1	L1	L	ØD2	mm
MC010MRS	1	5.5	48	6	
MC011MRS	1.1	6.5	48	6	
MC012MRS	1.2	7.5	48	6	
MC013MRS	1.3	7.5	48	6	
MC014MRS	1.4	8	48	6	
MC015MRS	1.5	8	48	6	
MC016MRS	1.6	9	48	6	
MC017MRS	1.7	9	48	6	
MC018MRS	1.8	10	48	6	
MC019MRS	1.9	10	48	6	
MC020MRS	2	11	48	6	
MC021MRS	2.1	11	48	6	
MC022MRS	2.2	12	48	6	
MC023MRS	2.3	12	48	6	
MC024MRS	2.4	14	48	6	
MC025MRS	2.5	14	48	6	
MD026MRS	2.6	14	48	6	
MC027MRS	2.7	15	48	6	
MC028MRS	2.8	15	48	6	
MC029MRS	2.9	15	48	6	
MC030MRS	3	15	48	6	
MC031MRS	3.1	16	48	6	
MC032MRS	3.2	16	48	6	
MC033MRS	3.3	16	48	6	
MC034MRS	3.4	18	48	6	
MC035MRS	3.5	18	48	6	
MC036MRS	3.6	18	48	6	
MC037MRS	3.7	18	48	6	



- 2MCB
- 4MCB
- 2MC
- 4MC
- 4MCR
- MCD
- MCDS
- MCMR





## Metal Ceramic Machine Reamer

### 金屬陶瓷機械鉸刀

mm

Order Code	ØD1	L1	L	ØD2
MC038MRS	3.8	19	48	6
MC039MRS	3.9	19	48	6
MC040MRS	4	19	48	6
MC041MRS	4.1	19	48	6
MC042MRS	4.2	21	48	6
MC043MRS	4.3	21	48	6
MC044MRS	4.4	21	48	6
MC045MRS	4.5	21	48	6
MC046MRS	4.6	21	48	6
MC047MRS	4.7	21	48	6
MC048MRS	4.8	23	48	6
MC049MRS	4.9	23	48	6
MC050MRS	5	23	48	6
MC051MRS	5.1	23	48	6
MC052MRS	5.2	23	48	6
MC053MRS	5.3	23	48	6
MC054MRS	5.4	26	48	6
MC055MRS	5.5	26	48	6
MC056MRS	5.6	26	48	6
MC057MRS	5.7	26	48	6
MC058MRS	5.8	26	48	6
MC059MRS	5.9	26	48	6
MC060MRS	6	26	48	6
MC061MRS	6.1	28	60	8
MC062MRS	6.2	28	60	8
MC063MRS	6.3	28	60	8
MC064MRS	6.4	28	60	8
MC065MRS	6.5	28	60	8
MC066MRS	6.6	28	60	8
MC067MRS	6.7	28	60	8
MC068MRS	6.8	31	60	8
MC069MRS	6.9	31	60	8
MC070MRS	7	31	60	8
MC071MRS	7.1	31	60	8
MC072MRS	7.2	31	60	8
MC073MRS	7.3	31	60	8
MC074MRS	7.4	31	60	8
MC075MRS	7.5	31	60	8
MC076MRS	7.6	33	60	8
MC077MRS	7.7	33	60	8
MC078MRS	7.8	33	60	8
MC079MRS	7.9	33	60	8
MC080MRS	8	33	60	8
MC081MRS	8.1	33	68	10
MC082MRS	8.2	33	68	10
MC083MRS	8.3	33	68	10
MC084MRS	8.4	33	68	10
MC085MRS	8.5	33	68	10
MC086MRS	8.6	36	68	10

2MCB

4MCB

2MC

4MC

4MCR

MCD

MCDS

MCMR

## Metal Ceramic Machine Reamer

### 金屬陶瓷機械鉸刀

Order Code	ØD1	L1	L	ØD2
MC087MRS	8.7	36	68	10
MC088MRS	8.8	36	68	10
MC089MRS	8.9	36	68	10
MC090MRS	9	36	68	10
MC091MRS	9.1	36	68	10
MC092MRS	9.2	36	68	10
MC093MRS	9.3	36	68	10
MC094MRS	9.4	36	68	10
MC095MRS	9.5	36	68	10
MC086MRS	9.6	38	68	10
MC097MRS	9.7	38	68	10
MC098MRS	9.8	38	68	10
MC099MRS	9.9	38	68	10
MC100MRS	10	38	68	10

mm



2MCB

4MCB

2MC

4MC

4MCR

MCD

MCDS

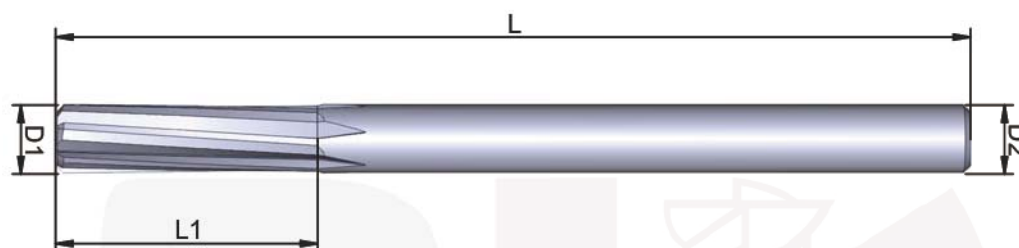
MCMR

BW

## Metal Ceramic Machine Reamer

金屬陶瓷機械鉋刀

MCMR



Order Code	ØD1	L1	L	ØD2	mm
MC010MR	1	5.5	48	6	
MC011MR	1.1	6.5	48	6	
MC012MR	1.2	7.5	48	6	
MC013MR	1.3	7.5	48	6	
MC014MR	1.4	8	48	6	
MC015MR	1.5	8	48	6	
MC016MR	1.6	9	48	6	
MC017MR	1.7	9	48	6	
MC018MR	1.8	10	48	6	
MC019MR	1.9	10	48	6	
MC020MR	2	11	48	6	
MC021MR	2.1	11	48	6	
MC022MR	2.2	12	48	6	
MC023MR	2.3	12	48	6	
MC024MR	2.4	14	48	6	
MC025MR	2.5	14	48	6	
MD026MR	2.6	14	48	6	
MC027MR	2.7	15	48	6	
MC028MR	2.8	15	48	6	
MC029MR	2.9	15	48	6	
MC030MR	3	15	48	6	
MC031MR	3.1	16	48	6	
MC032MR	3.2	16	48	6	
MC033MR	3.3	16	48	6	
MC034MR	3.4	18	48	6	
MC035MR	3.5	18	48	6	
MC036MR	3.6	18	48	6	
MC037MR	3.7	18	48	6	

2MCB

4MCB

2MC

4MC

4MCR

MCD

MCDS

MCMR

## Metal Ceramic Machine Reamer

### 金屬陶瓷機械鉸刀

Order Code	ØD1	L1	L	ØD2
MC038MR	3.8	19	48	6
MC039MR	3.9	19	48	6
MC040MR	4	19	48	6
MC041MR	4.1	19	48	6
MC042MR	4.2	21	48	6
MC043MR	4.3	21	48	6
MC044MR	4.4	21	48	6
MC045MR	4.5	21	48	6
MC046MR	4.6	21	48	6
MC047MR	4.7	21	48	6
MC048MR	4.8	23	48	6
MC049MR	4.9	23	48	6
MC050MR	5	23	48	6
MC051MR	5.1	23	48	6
MC052MR	5.2	23	48	6
MC053MR	5.3	23	48	6
MC054MR	5.4	26	48	6
MC055MR	5.5	26	48	6
MC056MR	5.6	26	48	6
MC057MR	5.7	26	48	6
MC058MR	5.8	26	48	6
MC059MR	5.9	26	48	6
MC060MR	6	26	48	6
MC061MR	6.1	28	60	8
MC062MR	6.2	28	60	8
MC063MR	6.3	28	60	8
MC064MR	6.4	28	60	8
MC065MR	6.5	28	60	8
MC066MR	6.6	28	60	8
MC067MR	6.7	28	60	8
MC068MR	6.8	31	60	8
MC069MR	6.9	31	60	8
MC070MR	7	31	60	8
MC071MR	7.1	31	60	8
MC072MR	7.2	31	60	8
MC073MR	7.3	31	60	8
MC074MR	7.4	31	60	8
MC075MR	7.5	31	60	8
MC076MR	7.6	33	60	8
MC077MR	7.7	33	60	8
MC078MR	7.8	33	60	8
MC079MR	7.9	33	60	8
MC080MR	8	33	60	8
MC081MR	8.1	33	68	10
MC082MR	8.2	33	68	10
MC083MR	8.3	33	68	10
MC084MR	8.4	33	68	10
MC085MR	8.5	33	68	10
MC086MR	8.6	36	68	10

mm



2MCB

4MCB

2MC

4MC

4MCR

MCD

MCDS

MCMR

## Metal Ceramic Machine Reamer

### 金屬陶瓷機械鉸刀

mm

Order Code	ØD1	L1	L	ØD2
MC087MR	8.7	36	68	10
MC088MR	8.8	36	68	10
MC089MR	8.9	36	68	10
MC090MR	9	36	68	10
MC091MR	9.1	36	68	10
MC092MR	9.2	36	68	10
MC093MR	9.3	36	68	10
MC094MR	9.4	36	68	10
MC095MR	9.5	36	68	10
MC086MR	9.6	38	68	10
MC097MR	9.7	38	68	10
MC098MR	9.8	38	68	10
MC099MR	9.9	38	68	10
MC100MR	10	38	68	10



2MCB

4MCB

2MC

4MC

4MCR

MCD

MCDS

MCMR